



# 60-3001 - (9322-FG)

BSPP Male Tee Reducing on Branch 60 Deg Cone



## **BRENNAN INDUSTRIES, EXTRAORDINARY FITTINGS**

In business for over 60 years, Brennan supplies more than 50,000 types of hydraulic fittings and adaptors in sizes ranging from 1/16 to 3 inches.

### **Learn More at Brennan University:**

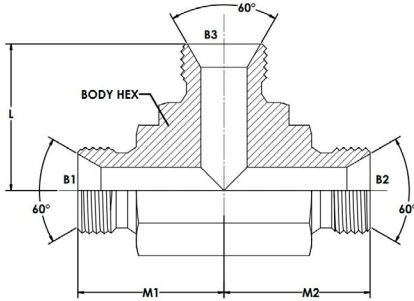
[Fittings 101](#)

[Tube Fittings Resources](#)

[Literature and Certifications](#)

**Tech Data Sheet: 71537**

# 60-3001 - (9322-FG)



**DESCRIPTION:**

BSPP Male Tee Reducing on Branch 60 Deg Cone

**UK SERIES:**

60-3001

**US SERIES:**

9322-FG

**THREAD TYPE B1:**

MALE BSPP WITH 60 DEGREE SEAT

**THREAD SPECIFICATION B1:**

60 DEG SEAT SWIVEL CONNECTION

**THREAD TYPE B2:**

MALE BSPP WITH 60 DEGREE SEAT

**THREAD SPECIFICATION B2:**

60 DEG SEAT SWIVEL CONNECTION

**BODY MATERIAL:**

STEEL

Item	THREAD SIZE B1	THREAD SIZE B2	THREAD SIZE 3
60-3001-02-02-02	1/8-28	1/8-28	1/8-28
60-3001-04-04-02	1/4-19	1/4-19	1/8-28
60-3001-04-04-04	1/4-19	1/4-19	1/4-19
60-3001-04-04-04-SMALL	1/4-19	1/4-19	1/4-19
60-3001-04-04-06	1/4-19	1/4-19	3/8-19
60-3001-06-06-04	3/8-19	3/8-19	1/4-19
60-3001-06-06-06	3/8-19	3/8-19	3/8-19
60-3001-06-06-08	3/8-19	3/8-19	1/2-14
60-3001-08-08-04	1/2-14	1/2-14	1/4-19
60-3001-08-08-06	1/2-14	1/2-14	3/8-19
60-3001-08-08-08	1/2-14	1/2-14	1/2-14
60-3001-08-08-12	1/2-14	1/2-14	3/4-14
60-3001-10-10-08	5/8-14	5/8-14	1/2-14
60-3001-10-10-10	5/8-14	5/8-14	5/8-14
60-3001-12-12-04	3/4-14	3/4-14	1/4-19
60-3001-12-12-06	3/4-14	3/4-14	3/8-19
60-3001-12-12-08	3/4-14	3/4-14	1/2-14
60-3001-12-12-12	3/4-14	3/4-14	3/4-14
60-3001-12-12-16	3/4-14	3/4-14	1-11
60-3001-16-16-08	1-11	1-11	1/2-14
60-3001-16-16-16	1-11	1-11	1-11
60-3001-20-20-20	1-1/4-11	1-1/4-11	1-1/4-11
60-3001-24-24-12	1-1/2-11	1-1/2-11	3/4-14
60-3001-24-24-24	1-1/2-11	1-1/2-11	1-1/2-11
60-3001-32-32-32	2-11	2-11	2-11