



## 60-3002 - (9342-FG)

BSPP Male x BSPP Male x BSPP Swivel Female Branch Tee 60  
Deg Cone



### **BRENNAN INDUSTRIES, EXTRAORDINARY FITTINGS**

In business for over 60 years, Brennan supplies more than 50,000 types of hydraulic fittings and adaptors in sizes ranging from 1/16 to 3 inches.

#### **Learn More at Brennan University:**

[Fittings 101](#)

[Tube Fittings Resources](#)

[Literature and Certifications](#)

**Tech Data Sheet: 71521**

# 60-3002 - (9342-FG)



## DESCRIPTION:

BSPP Male x BSPP Male x BSPP Swivel Female Branch Tee 60 Deg Cone

## UK SERIES:

60-3002

## US SERIES:

9342-FG

## THREAD TYPE B1:

MALE BSPP WITH 60 DEGREE SEAT

## THREAD SPECIFICATION B1:

60 DEG SEAT SWIVEL CONNECTION

## THREAD TYPE B2:

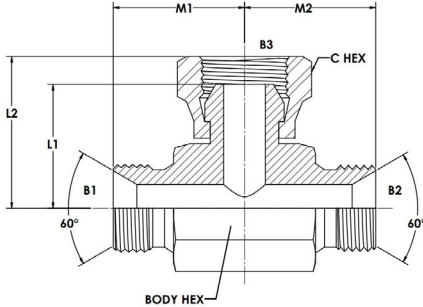
MALE BSPP WITH 60 DEGREE SEAT

## THREAD SPECIFICATION B2:

60 DEG SEAT SWIVEL CONNECTION

## BODY MATERIAL:

STEEL



Item	THREAD SIZE B1	THREAD DRILL B1 (MM)	THREAD SIZE B2	THREAD DRILL B2 (MM)	THREAD SIZE 3	THREAD DRILL 3 (MM)	THREAD SPECIFICATIONS	THREAD SPECIFICATIONS
60-3002-02-02-02	1/8-28	3.5	1/8-28	3.5	1/8-28	3.50	ISO 8434-6	BS 5200
60-3002-M-02-02-02	1/8-28		1/8-28		1/8-28		ISO 8434-6	BS 5200
60-3002-04-04-04	1/4-19	4.7	1/4-19	4.7	1/4-19	4.5	ISO 8434-6	BS 5200
60-3002-06-06-06	3/8-19	7.9	3/8-19	7.9	3/8-19	7.1	ISO 8434-6	BS 5200
60-3002-06-06-08	3/8-19	7.9	3/8-19	7.9	1/2-14	9.7	ISO 8434-6	BS 5200
60-3002-08-08-06	1/2-14	11.1	1/2-14	11.1	3/8-19	10.4	ISO 8434-6	BS 5200
60-3002-08-08-08	1/2-14	11.1	1/2-14	11.1	1/2-14	9.7	ISO 8434-6	BS 5200
60-3002-08-12-08	1/2-14	11.1	3/4-14	16.7	1/2-14	9.7	ISO 8434-6	BS 5200
60-3002-08-12-16	1/2-14		3/4-14		1-11		ISO 8434-6	BS 5200
60-3002-10-10-10	5/8-14	14.3	5/8-14	14.3	5/8-14	12.0	ISO 8434-6	BS 5200
60-3002-12-12-12	3/4-14	16.7	3/4-14	16.7	3/4-14	15.5	ISO 8434-6	BS 5200
60-3002-16-16-16	1-11	22.2	1-11	22.2	1-11	20.4	ISO 8434-6	BS 5200
60-3002-20-20-20	1-1/4-11	28.6	1-1/4-11	28.6	1-1/4-11	26.0	ISO 8434-6	BS 5200
60-3002-24-24-24	1-1/2-11	33.3	1-1/2-11	33.3	1-1/2-11	30.8	ISO 8434-6	BS 5200
60-3002-32-32-32	2-11	46.0	2-11	46.0	2-11	43.5	ISO 8434-6	BS 5200