



60-2008 - (9621-NWO-FG-ORR)

BSPP Male 60 Deg Cone x BSPP Male 90 Deg Positional Forged Elbow



BRENNAN INDUSTRIES, EXTRAORDINARY FITTINGS

In business for over 60 years, Brennan supplies more than 50,000 types of hydraulic fittings and adaptors in sizes ranging from 1/16 to 3 inches.

Learn More at Brennan University:

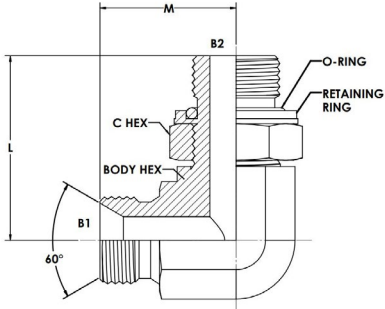
[Fittings 101](#)

[Tube Fittings Resources](#)

[Literature and Certifications](#)

Tech Data Sheet: 71494

60-2008 - (9621-NWO-FG-ORR)



DESCRIPTION:

BSPP Male 60 Deg Cone x BSPP
Male 90 Deg Positional Forged
Elbow

UK SERIES:

60-2008

US SERIES:

9621-NWO-FG-ORR

THREAD TYPE B1:

MALE BSPP WITH 60 DEGREE
SEAT

THREAD SPECIFICATION B1:

60 DEG SEAT SWIVEL
CONNECTION

THREAD TYPE B2:

MALE BSPP ADJUSTABLE ORR

THREAD SPECIFICATION B2:

O-RING AND RETAINING RING

BODY MATERIAL:

STEEL

Item	THREAD SIZE B1	THREAD DRILL B1 (MM)	THREAD SIZE B2	THREAD DRILL B2 (MM)	THREAD SPECIFICATION B2	THREAD SPECIFICATION B2
60-2008-02-02	1/8-28	3.5	1/8-28	4.4	ISO 8434-6	BS 5200
60-2008-02-04	1/8-28	3.5	1/4-19	7.5	ISO 8434-6	BS 5200
60-2008-04-02	1/4-19	4.7	1/8-28	4.4	ISO 8434-6	BS 5200
60-2008-04-04	1/4-19	4.7	1/4-19	7.5	ISO 8434-6	BS 5200
60-2008-04-06	1/4-19	4.7	3/8-19	9.9	ISO 8434-6	BS 5200
60-2008-04-08	1/4-19	4.7	1/2-14	12.3	ISO 8434-6	BS 5200
60-2008-06-04	3/8-19	7.9	1/4-19	7.5	ISO 8434-6	BS 5200
60-2008-06-06	3/8-19	7.9	3/8-19	9.9	ISO 8434-6	BS 5200
60-2008-06-08	3/8-19	7.9	1/2-14	12.3	ISO 8434-6	BS 5200
60-2008-08-06	1/2-14	11.1	3/8-19	9.9	ISO 8434-6	BS 5200
60-2008-08-08	1/2-14	11.1	1/2-14	12.3	ISO 8434-6	BS 5200
60-2008-08-12	1/2-14	11.1	3/4-14	15.5	ISO 8434-6	BS 5200
60-2008-10-10	5/8-14		5/8-14		ISO 8434-6	BS 5200
60-2008-12-08	3/4-14	16.7	1/2-14	12.3	ISO 8434-6	BS 5200
60-2008-12-12	3/4-14	16.7	3/4-14	15.5	ISO 8434-6	BS 5200
60-2008-12-16	3/4-14	16.7	1-11	21.5	ISO 8434-6	BS 5200
60-2008-16-08	1-11		1/2-14		ISO 8434-6	BS 5200
60-2008-16-12	1-11	22.2	3/4-14	15.5	ISO 8434-6	BS 5200
60-2008-16-16	1-11	22.2	1-11	21.5	ISO 8434-6	BS 5200
60-2008-16-24	1-11		1-1/2-11		ISO 8434-6	BS 5200
60-2008-20-20	1-1/4-11	28.6	1-1/4-11	27.5	ISO 8434-6	BS 5200
60-2008-24-24	1-1/2-11	33.3	1-1/2-11	33.0	ISO 8434-6	BS 5200
60-2008-32-32	2-11	46.0	2-11	46.0	ISO 8434-6	BS 5200