



# 60-6106 - (7042)

BSPB Male 60 Deg Cone x NPT Female Extended



## **BRENNAN INDUSTRIES, EXTRAORDINARY FITTINGS**

In business for over 60 years, Brennan supplies more than 50,000 types of hydraulic fittings and adaptors in sizes ranging from 1/16 to 3 inches.

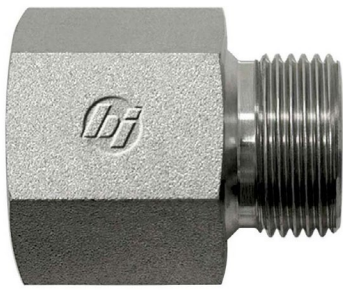
### **Learn More at Brennan University:**

[Fittings 101](#)

[Tube Fittings Resources](#)

[Literature and Certifications](#)

**Tech Data Sheet: 71460**



# 60-6106 - (7042)

**DESCRIPTION:**

BSPF Male 60 Deg Cone x NPT  
Female Extended

**UK SERIES:**

60-6106

**US SERIES:**

7042

**THREAD TYPE B1:**

FEMALE NPT

**THREAD SPECIFICATION B1:**

ANSI B1.20.1

**THREAD TYPE B2:**

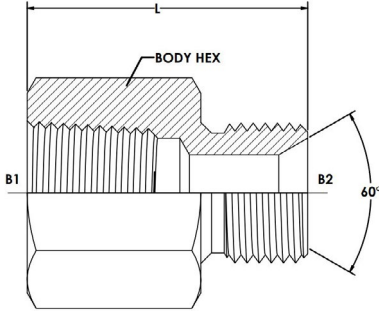
MALE BSPF WITH 60 DEGREE  
SEAT

**THREAD SPECIFICATION B2:**

60 DEG SEAT SWIVEL  
CONNECTION

**BODY MATERIAL:**

STEEL



Item	THREAD SIZE B1	THREAD DRILL B1 (MM)	THREAD SIZE B2	THREAD DRILL B2 (MM)
60-6106-02-02	1/8-27	8.5	1/8-28	4.0
60-6106-04-02	1/8-27	8.5	1/4-19	6.0
60-6106-06-02	1/8-27	8.5	3/8-19	8.6
60-6106-08-02	1/8-27	8.5	1/2-14	12.7
60-6106-02-04	1/4-18	7.1	1/8-28	4.0
60-6106-04-04	1/4-18	7.1	1/4-19	6.0
60-6106-06-04	1/4-18	7.1	3/8-19	9.5
60-6106-08-04	1/4-18	7.1	1/2-14	12.7
60-6106-12-04	1/4-18	7.1	3/4-14	16.7
60-6106-16-04	1/4-18	7.1	1-11	22.0
60-6106-02-06	3/8-18	13.5	1/8-28	4.0
60-6106-04-06	3/8-18	13.5	1/4-19	6.0
60-6106-06-06	3/8-18	13.5	3/8-19	9.53
60-6106-08-06	3/8-18	13.5	1/2-14	12.7
60-6106-10-06	3/8-18	13.5	5/8-14	12.0
60-6106-12-06	3/8-18	13.5	3/4-14	17.0
60-6106-16-06	3/8-18	13.5	1-11	22.0
60-6106-02-08	1/2-14	16.5	1/8-28	4.0
60-6106-04-08	1/2-14	16.5	1/4-19	6.0
60-6106-06-08	1/2-14	16.5	3/8-19	9.5
60-6106-08-08	1/2-14	16.5	1/2-14	12.7
60-6106-10-08	1/2-14	16.5	5/8-14	12.0
60-6106-12-08	1/2-14	16.5	3/4-14	17.4
60-6106-16-08	1/2-14	16.5	1-11	22.0
60-6106-20-08	1/2-14	16.5	1-1/4-11	28.6
60-6106-08-12	3/4-14	17.0	1/2-14	12.7
60-6106-12-12	3/4-14	17.0	3/4-14	17.0
60-6106-16-12	3/4-14	17.0	1-11	22.0
60-6106-20-12	3/4-14	17.0	1-1/4-11	28.6
60-6106-24-12	3/4-14	17.0	1-1/2-11	33.3
60-6106-32-12	3/4-14	17.0	2-11	45.0
60-6106-12-16	1-11-1/2	27.4	3/4-14	17.0
60-6106-16-16	1-11-1/2	27.4	1-11	21.5
60-6106-20-16	1-11-1/2	27.4	1-1/4-11	28.6
60-6106-24-16	1-11-1/2	27.4	1-1/2-11	33.3
60-6106-16-20	1-1/4-11-1/2	36.1	1-11	23.0
60-6106-20-20	1-1/4-11-1/2	36.1	1-1/4-11	28.6
60-6106-24-20	1-1/4-11-1/2	36.1	1-1/2-11	33.3
60-6106-20-24	1-1/2-11-1/2	42.1	1-1/4-11	28.6

Item	THREAD SIZE B1	THREAD DRILL B1 (MM)	THREAD SIZE B2	THREAD DRILL B2 (MM)
60-6106-24-24	1-1/2-11-1/2	42.1	1-1/2-11	33.3
60-6106-32-24	1-1/2-11-1/2	42.1	2-11	45.0
60-6106-40-24	1-1/2-11-1/2	42.1	2-1/2-11	
60-6106-24-32	2-11-1/2	56.3	1-1/2-11	33.3
60-6106-32-32	2-11-1/2	56.3	2-11	45.8
60-6106-40-32	2-11-1/2	56.3	2-1/2-11	
60-6106-48-32	2-11-1/2	56.3	3-11	
60-6106-40-40	2-1/2-8		2-1/2-11	
60-6106-40-48	3-8		2-1/2-11	
60-6106-48-48	3-8		3-11	

Continued...