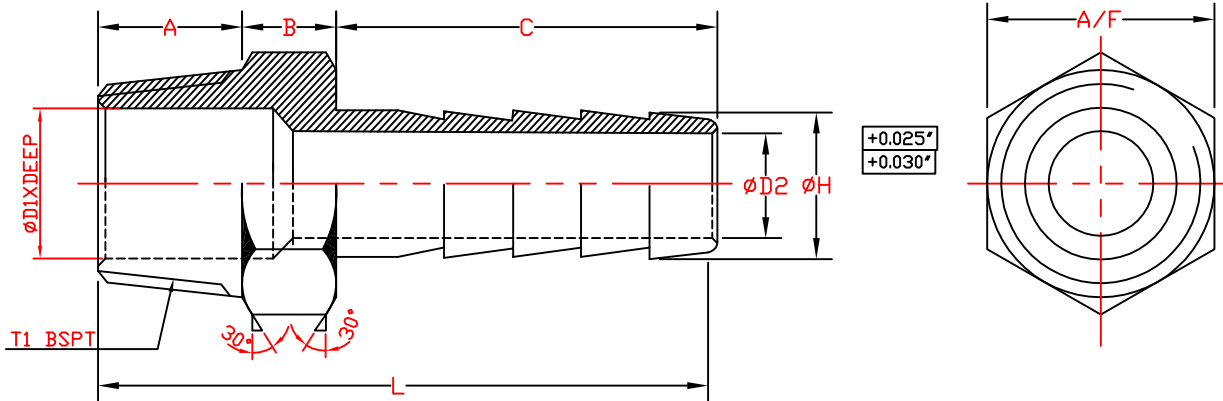


NO.	ALTERATIONS	DATE	SIGN	CHQD	APPD	MODF. NOTE NO.
-----	-------------	------	------	------	------	----------------



Part No.	T1	A/F	L	A	B	C	D1	DEEP	D2	ØH
MH02/02	1/8"	7/16"	35	9	6	20	6	11	2.5	1/8"
MH02/03	1/8"	7/16"	40	9	6	25	6	11	4	3/16"
MH02/04	1/8"	7/16"	40	9	6	25	6	11	5	1/4"
MH02/05	1/8"	7/16"	40	9	6	25	6	11	6	5/16"
MH02/06	1/8"	7/16"	40	9	6	25	6	11	7	3/8"
MH02/08	1/8"	7/16"	40	9	6	25	6	11	10	1/2"
MH04/02	1/4"	0.525"	37	11	6	20	9	12	2.5	1/8"
MH04/03	1/4"	0.525"	42	11	6	25	9	12	4	3/16"
MH04/04	1/4"	0.525"	42	11	6	25	9	12	5	1/4"
MH04/05	1/4"	0.525"	42	11	6	25	9	12	6	5/16"
MH04/06	1/4"	0.525"	42	11	6	25	9	12	7	3/8"
MH04/08	1/4"	0.525"	47	11	6	30	9	12	9	1/2"
MH04/10	1/4"	11/16"	47	11	6	30	9	12	13	5/8"
MH04/12	1/4"	22	42	11	6	25	9	12	15	3/4"
MH06/03	3/8"	11/16"	45	13	7	25	11	16	4	3/16"
MH06/04	3/8"	11/16"	45	13	7	25	11	16	5	1/4"
MH06/05	3/8"	11/16"	45	13	7	25	11	16	6	5/16"
MH06/06	3/8"	11/16"	57	13	7	37	11	16	7	3/8"
MH06/08	3/8"	11/16"	57	13	7	37	11	16	10	1/2"
MH06/10	3/8"	11/16"	57	13	7	37	11	16	13	5/8"
MH06/12	3/8"	22	57	13	7	37	11	16	15	3/4"
MH08/02	1/2"	22	48	15	8	25	14	18	2.5	1/8"
MH08/03	1/2"	22	48	15	8	25	14	18	4	3/16"
MH08/04	1/2"	22	48	15	8	25	14	18	5	1/4"
MH08/05	1/2"	22	48	15	8	25	14	18	6	5/16"
MH08/06	1/2"	22	48	15	8	25	14	18	7	3/8"
MH08/08	1/2"	22	61	15	8	38	14	18	10	1/2"
MH08/10	1/2"	22	61	15	8	38	14	18	13	5/8"
MH08/12	1/2"	22	61	15	8	38	14	18	14	3/4"
MH08/16	1/2"	27	61	15	8	38	14	18	20	1"
MH10/10	5/8"	1"	62	16	8	38		19	13	5/8"
MH12/04	3/4"	27	50	17	8	25	19	20	5	1/4"
MH12/05	3/4"	27	50	17	8	25	19	20	6	5/16"
MH12/06	3/4"	27	63	17	8	38	19	20	7	3/8"
MH12/08	3/4"	27	63	17	8	38	19	20	10	1/2"
MH12/10	3/4"	27	63	17	8	38	19	20	13	5/8"
MH12/12	3/4"	27	63	17	8	38	19	20	15	3/4"
MH12/16	3/4"	27	63	17	8	38	19	20	20	1"
MH12/20	3/4"	1.3/8"	63	17	8	38	19	20	26	1.1/4"
MH14/14	7/8"	1.1/4"	63	17	8	38	24	21	18	7/8"
MH16/08	1"	1.3/8"	66	18	10	38	24	23	10	1/2"
MH16/10	1"	1.3/8"	66	18	10	38	24	23	13	5/8"
MH16/12	1"	1.3/8"	66	18	10	38	24	23	15	3/4"
MH16/16	1"	1.3/8"	66	18	10	38	24	23	20	1"
MH16/20	1"	1.3/8"	66	18	10	38	24	23	26	1.1/4"
MH16/24	1"	1.67"	66	18	10	38	24	23	32	1.1/2"
MH20/12	1.1/4"	1.67"	70	21	11	38	33	26	15	3/4"
MH20/16	1.1/4"	1.67"	70	21	11	38	33	26	20	1"
MH20/20	1.1/4"	1.67"	70	21	11	38	33	26	26	1.1/4"
MH20/24	1.1/4"	1.67"	70	21	11	38	33	26	32	1.1/2"
MH24/20	1.1/2"	51	72	22	12	38	37	27	26	1.1/4"
MH24/24	1.1/2"	51	90	22	12	56	37	27	32	1.1/2"
MH24/32	1.1/2"	51	92	24	12	56	37	27	44	2"
MH32/24	2"	61	93	24	13	56	46	29	32	1.1/2"
MH32/32	2"	61	93	24	13	56	46	29	44	2"
MH40/40	2.1/2"	80	118	29	13	76	64	32	53	2.1/2"
MH48/48	3"	90	135	31	13	91	75	36	68	3"

Note :-

All sharp corners to be round off or chamfered to 0.5 x 45°

All dimension are in mm unless otherwise specified.

Gen. tolerance : ±0.15mm